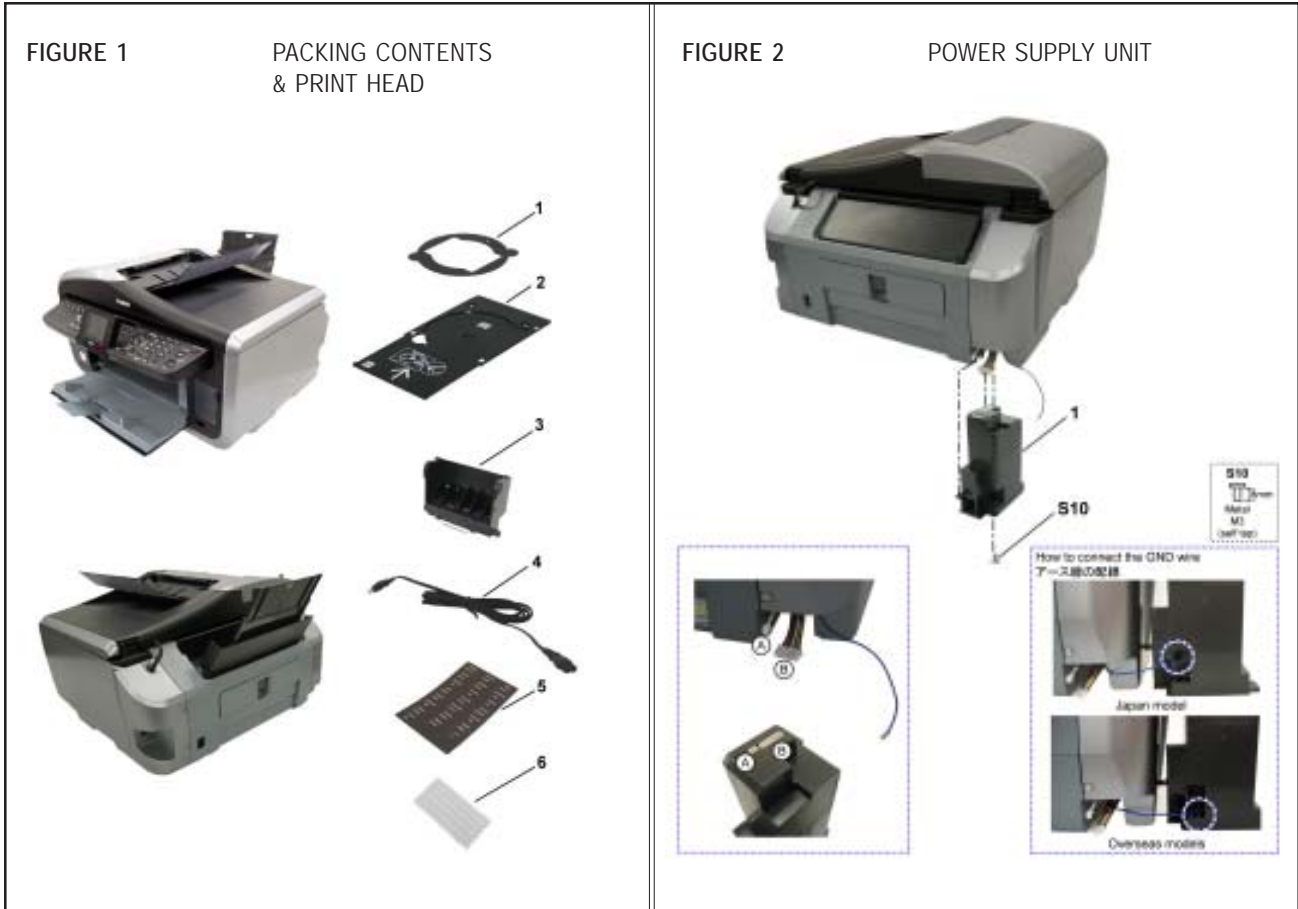


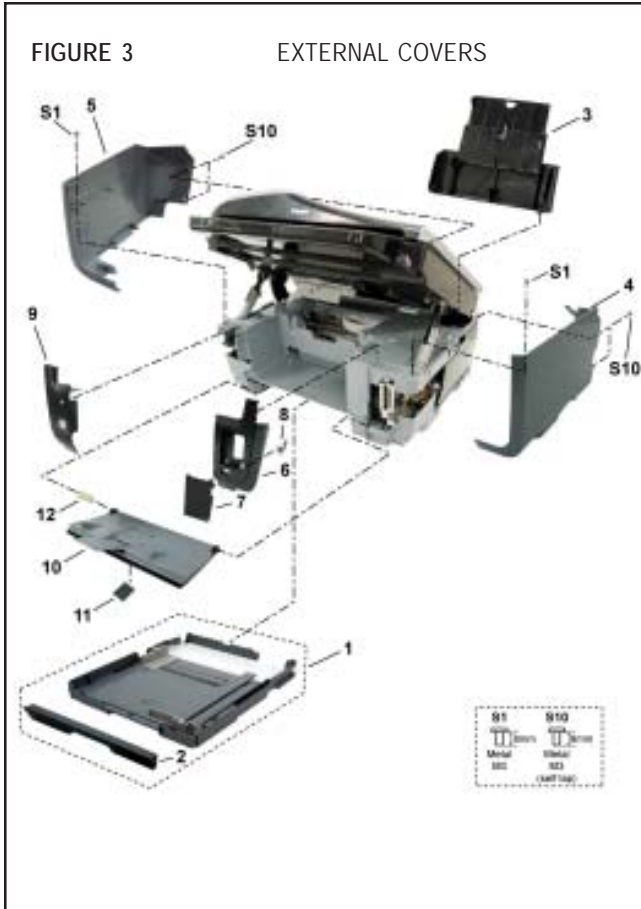
PIXMA MP830

PARTS CATALOG

Canon

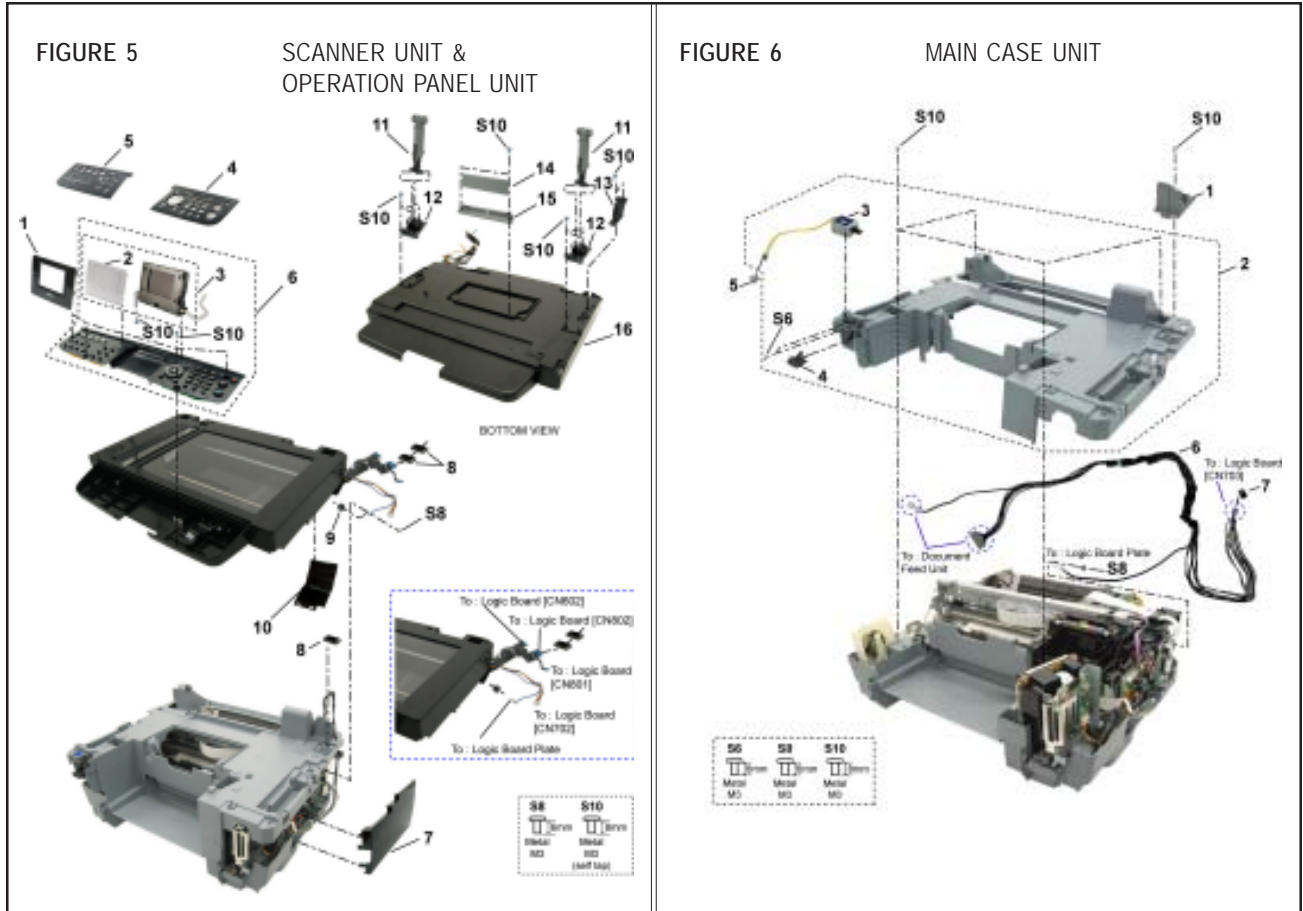


| NUM. | PART # | DESCRIPTION | NUM. | PART # | DESCRIPTION |
|-------|--------------|--|-------|--------------|-------------------|
| 1 - 3 | QY6-0061-000 | PRINT HEAD | 2 - 1 | QK1-2228-000 | POWER SUPPLY UNIT |
| 4 | QK1-0278-000 | CORD, POWER 100V-120V | | | |
| 5 | QC1-9057-000 | LABEL, PANEL (AT/CH/DE,WEU,GB/NEU,EMB) | | | |
| 6 | QC1-9060-000 | LABEL, DESTINATION | | | |



| NUM. | PART # | DESCRIPTION |
|-------|--------------|-----------------------|
| 3 - 1 | QM2-3568-000 | CASSETTE UNIT |
| 2 | QC1-9104-000 | PANEL, CASSETTE FRONT |
| 3 | QM2-3008-000 | PAPER SUPPORT UNIT |
| 4 | QC1-9085-000 | COVER, SIDE R |
| 5 | QC1-9084-000 | COVER, SIDE L |
| 6 | QC1-9108-000 | COVER, FRONT R |
| 7 | QC1-9087-000 | DOOR, CARD |
| 8 | QC1-8589-000 | GUIDE, CARD LED |
| 9 | QM2-3575-000 | LEFT FRONT COVER UNIT |
| 10 | QM2-3561-000 | FRONT DOOR UNIT |
| 11 | QC1-9024-000 | EMBLEM, PIXMA |
| 12 | QC1-6573-000 | DAMPER, DOOR |

| NUM. | PART # | DESCRIPTION |
|-------|--------------|----------------------------|
| 4 - 1 | QM2-3574-000 | DOCUMENT FEED TRAY UNIT |
| 2 | QC1-9021-000 | TRAY, DOCUMENT FEED |
| 3 | QC1-9012-000 | COVER, DOCUMENT FEED FRONT |
| 4 | QC1-9013-000 | COVER, DOCUMENT FEED REAR |
| 5 | QC1-8998-000 | COVER, DOCUMENT FEED |
| 6 | HC1-0152-000 | ARM, STOP |
| 7 | QM2-3573-000 | DOCUMENT FEED UNIT |
| 8 | QC1-9014-000 | COVER, DOCUMENT FEED RIGHT |
| 9 | QC1-9016-000 | COVER, DOCUMENT FEED GRIP |
| 10 | QC1-9015-000 | COVER, DOCUMENT FEED CABLE |
| 11 | QC1-7996-000 | PLATE, LOGO |
| 12 | QC1-8955-000 | HINGE, ADF UNIT (2) |
| 13 | QC1-9011-000 | BASE, DOCUMENT FEED |
| 14 | QC1-8416-000 | SHEET, DOCUMENT PRESSURE |



| NUM. | PART # | DESCRIPTION | NUM. | PART # | DESCRIPTION |
|-------|--------------|----------------------------------|-------|--------------|----------------------------|
| 5 - 1 | QC1-9048-000 | COVER, LCD | 6 - 1 | QC1-9081-000 | GUIDE, DOCUMENT FEED CABLE |
| 2 | QC1-9050-000 | WINDOW, LCD | 2 | QM2-3559-000 | MAIN CASE UNIT |
| 3 | QM2-3588-000 | LCD VIEWER UNIT | 3 | QK1-2238-000 | SOLENOID |
| 4 | QC1-9063-000 | COVER, PANEL R (US, CA, AU, ASA) | 4 | QC1-9103-000 | BUTTON, OPEN |
| 5 | QC1-9062-000 | COVER, PANEL L (US, CA, AU, ASA) | 5 | VS1-7165-002 | CONNECTOR, CABLE |
| 6 | QM2-3571-000 | OPERATION PANEL UNIT | 6 | QM2-3670-000 | ADF HARNESS UNIT |
| 7 | QC1-9092-000 | COVER, LOGIC BOARD ASS'Y | 7 | WE8-6031-000 | CORE, RING |
| 8 | WE8-5266-000 | CORE (3) | | | |
| 9 | WE8-5881-000 | CORE, RING | | | |
| 10 | QC1-9116-000 | SHEET, CABLE HOLD | | | |
| 11 | QM2-3586-000 | SCANNER STOP ARM UNIT (2) | | | |
| 12 | QC1-9073-000 | LOCK, ARM (2) | | | |
| 13 | QC1-9074-000 | ARM, SCANNER OPEN | | | |
| 14 | QC1-8478-000 | COVER, MIST | | | |
| 15 | QC1-8465-000 | HOLDER, MIST COVER | | | |
| 16 | QK1-2222-000 | SCANNER UNIT | | | |

FIGURE 7 CARD BOARD ASS'Y & NCU BOARD ASS'Y

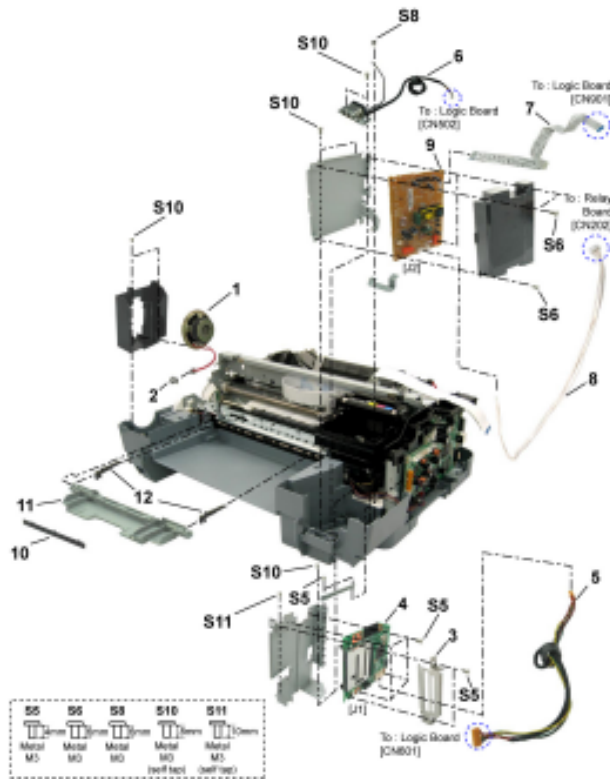
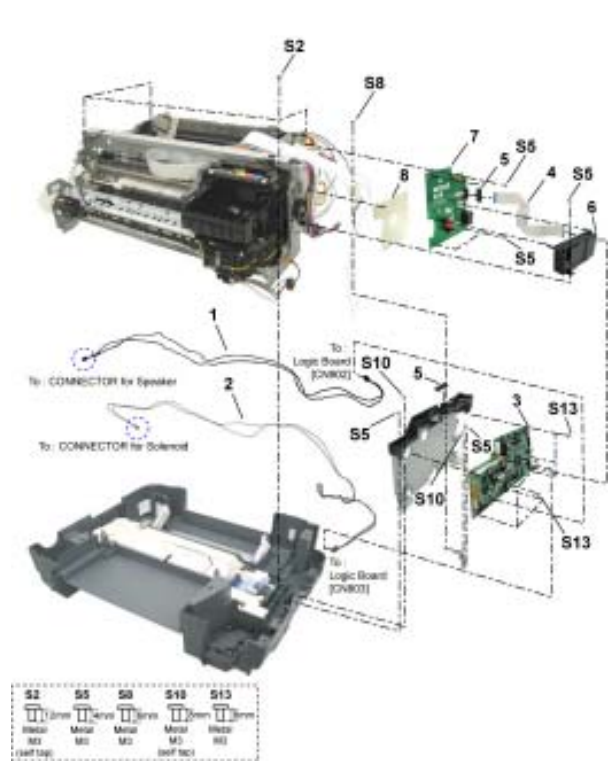


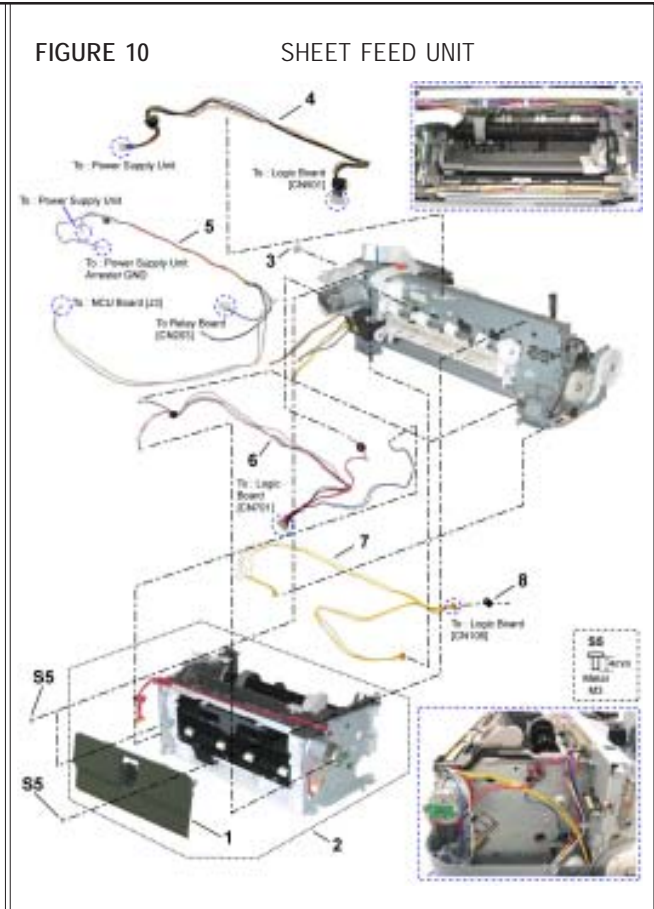
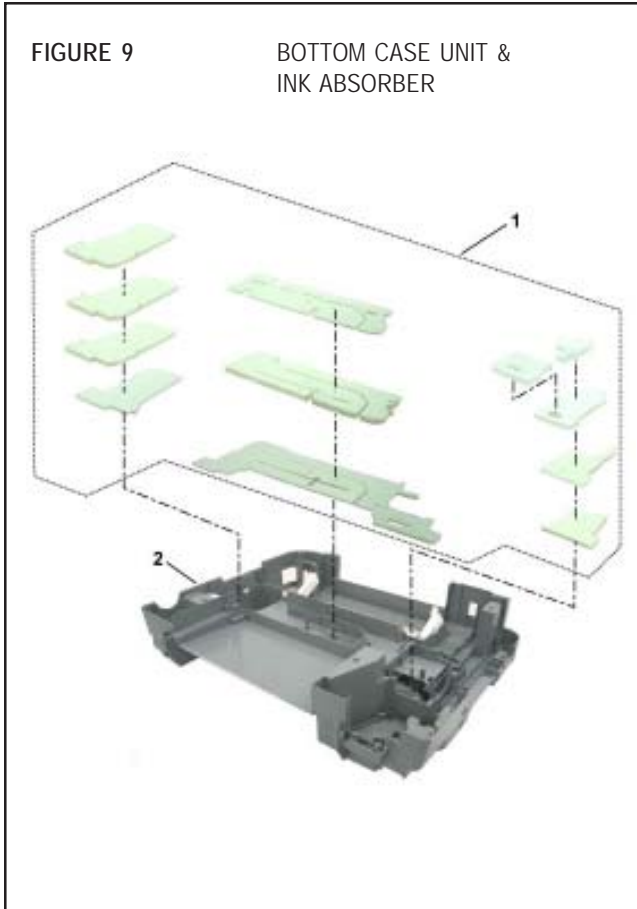
FIGURE 8 LOGIC BOARD ASS'Y & RELAY BOARD ASS'Y



| NUM. | PART # | DESCRIPTION |
|-------|--------------|--|
| 7 - 1 | QK1-2235-000 | SPEAKER ASS'Y |
| 2 | VS1-7165-002 | CONNECTOR, CABLE |
| 3 | QC1-9088-000 | PLATE, CARD PANEL |
| 4 | QM2-3593-000 | CARD BOARD ASS'Y |
| 5 | QM2-3663-000 | MEMORY CARD HARNESS ASS'Y |
| 6 | QK1-2227-000 | PICT BRIDGE HARNESS ASS'Y |
| 7 | QK1-2234-000 | CABLE, NCU |
| 8 | QM2-3674-000 | NCU HARNESS UNIT |
| 9 | QM2-3592-000 | NCU BOARD ASS'Y |
| 10 | QC1-6199-000 | COVER, CDR TRAY BASE W/O CDR PRINTING |
| 11 | QM2-3577-000 | INNER COVER UNIT |
| 12 | QC1-7454-000 | ARM, RELEASE (2) |

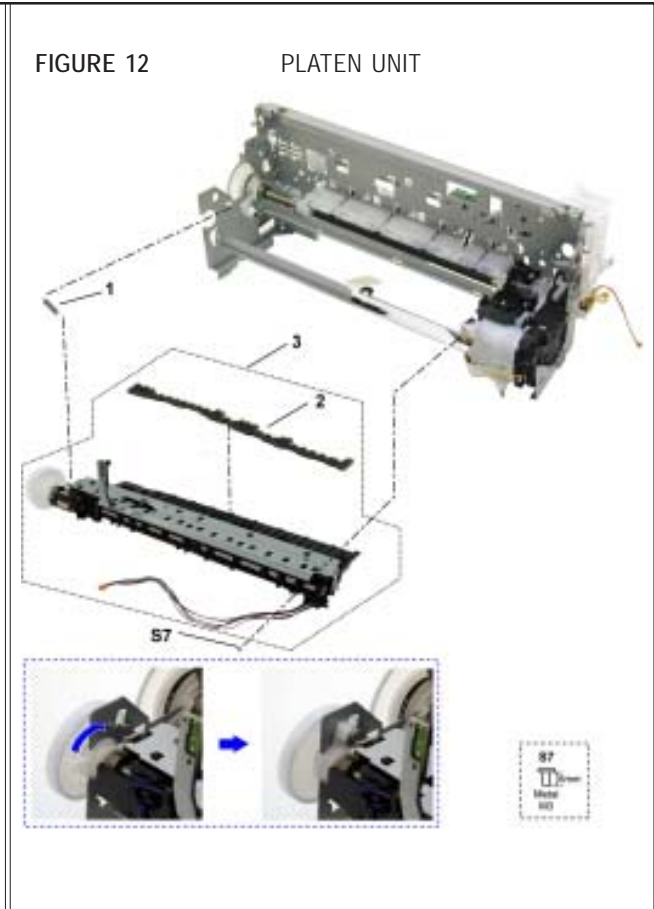
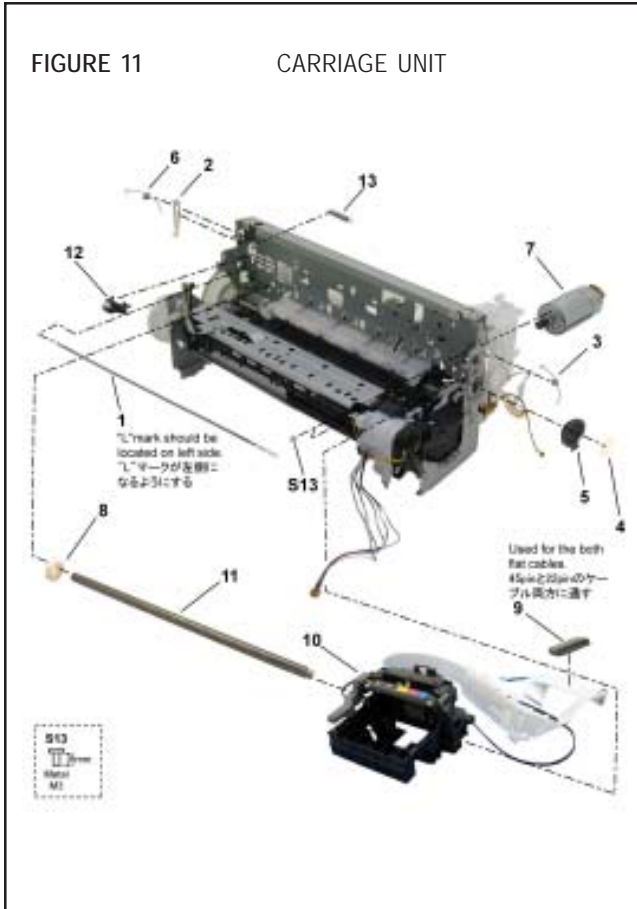
| NUM. | PART # | DESCRIPTION |
|-------|--------------|------------------------------|
| 8 - 1 | QM2-3677-000 | SPEAKER RELAY HARNESS UNIT |
| 2 | QM2-3664-000 | SOLENOID RELAY HARNESS ASS'Y |
| 3 | QM2-3659-000 | LOGIC BOARD ASS'Y |
| 4 | QK1-2230-000 | CABLE, PRINTER RELAY |
| 5 | WE8-5266-000 | CORE (2) |
| 6 | QC1-9093-000 | COVER, RELAY BOARD |
| 7 | QM2-3591-000 | RELAY BOARD ASS'Y |
| 8 | QC1-9101-000 | SHEET, CHASSIS R |

Canon



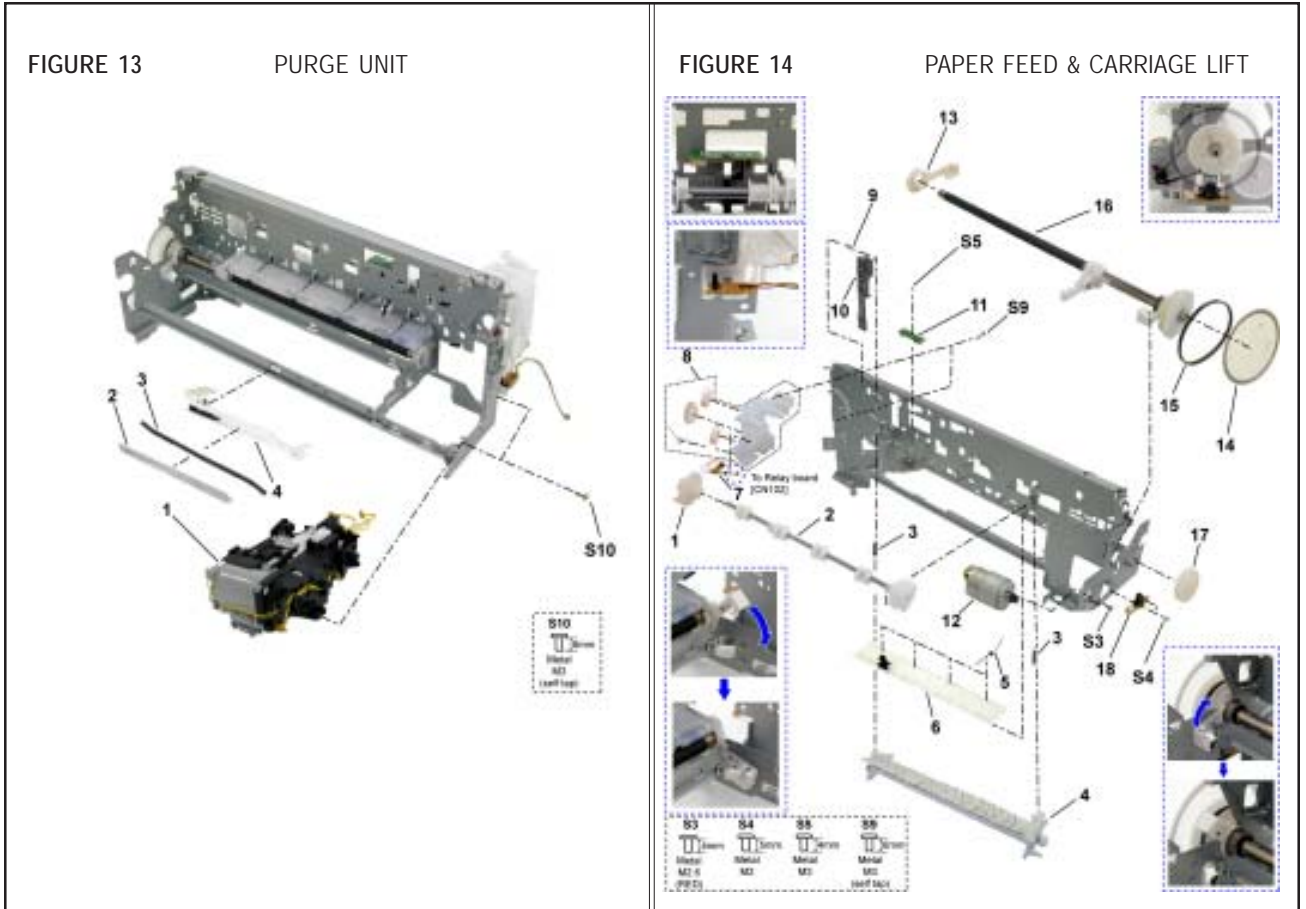
| NUM. | PART # | DESCRIPTION |
|-------|--------------|------------------|
| 9 - 1 | QY5-0153-000 | ABSORBER KIT |
| 2 | QM2-3560-000 | BOTTOM CASE UNIT |

| NUM. | PART # | DESCRIPTION |
|--------|--------------|----------------------------|
| 10 - 1 | QC1-8013-000 | COVER, PAPER FEED GUIDE |
| 2 | QM2-3016-000 | SHEET FEED UNIT |
| 3 | QC1-6213-000 | GEAR, INPUT CARRIAGE LIFT |
| 4 | QM2-3665-000 | DC CONNECTOR ASS'Y |
| 5 | QM2-3685-000 | ARG-PCI HARNESS UNIT |
| 6 | QM2-3678-000 | MOTOR MULTI HARNESS ASS'Y |
| 7 | QM2-3124-000 | SENSOR MULTI HARNESS ASS'Y |
| 8 | WE8-5881-000 | CORE, RING |



| NUM. | PART # | DESCRIPTION |
|--------|--------------|-------------------------|
| 11 - 1 | QC1-6526-000 | FILM, TIMING SLIT STRIP |
| 2 | QC1-6201-000 | SPRING, LEAF |
| 3 | QC1-6207-000 | CLIP, SHAFT R |
| 4 | QC1-6306-000 | RING, CARRIAGE SHAFT |
| 5 | QC1-6209-000 | CAM, CARRIAGE SHAFT R |
| 6 | QC1-6206-000 | CLIP, SHAFT L |
| 7 | QK1-1500-000 | MOTOR, CARRIAGE |
| 8 | QC1-6208-000 | CAM, CARRIAGE SHAFT L |
| 9 | WE8-5266-000 | CORE |
| 10 | QM2-3025-020 | CARRIAGE UNIT |
| 11 | QC1-6523-000 | SHAFT, CARRIAGE |
| 12 | QL2-0938-000 | IDLER PULLEY ASS'Y |
| 13 | QC1-6202-000 | SPRING, COIL |

| NUM. | PART # | DESCRIPTION |
|--------|--------------|-----------------|
| 12 - 1 | QC1-6619-000 | SPRING, TORSION |
| 2 | QC1-6272-000 | ABSORBER, INK |
| 3 | QM2-3565-000 | PLATEN UNIT |



| NUM. | PART # | DESCRIPTION | NUM. | PART # | DESCRIPTION |
|--------|--------------|------------------------|--------|--------------|------------------------------|
| 13 - 1 | QM2-3032-000 | PURGE UNIT | 14 - 1 | QC1-6216-000 | CAM, SWING ARM LOCK |
| 2 | QC1-6499-000 | COVER, WASTE INK TUBE | 2 | QL2-0936-000 | PR LIFT SHAFT ASS'Y |
| 3 | QC1-6458-000 | TUBE, WASTE INK | 3 | QC1-6232-000 | SPRING, TENSION (2) |
| 4 | QC1-6460-000 | HOLDER, WASTE INK TUBE | 4 | QM2-2265-000 | PAPER GUIDE UNIT |
| | | | 5 | QC1-6226-000 | SPRING, TORSION (4) |
| | | | 6 | QM2-2201-000 | PRESSURE ROLLER ASS'Y |
| | | | 7 | QM2-3092-000 | CARRIAGE LIFT SENSOR UNIT |
| | | | 8 | QM2-2232-000 | CARRIAGE LIFT GEAR BASE UNIT |
| | | | 9 | QC1-6471-000 | SPRING, TENSION |
| | | | 10 | QC1-6217-000 | LEVER, SWING ARM LOCK |
| | | | 11 | QM2-2677-000 | PE SENSOR UNIT |
| | | | 12 | QK1-1502-000 | MOTOR, PAPER FEED |
| | | | 13 | QC1-6227-000 | BUSHING |
| | | | 14 | QC1-6229-000 | FILM, TIMING SLIT DISK |
| | | | 15 | QC1-6230-000 | BELT, PAPER FEED |
| | | | 16 | QL2-0950-000 | FEED ROLLER ASS'Y |
| | | | 17 | QC1-6225-000 | GEAR, EJECT |
| | | | 18 | QM2-2683-000 | TIMING SENSOR UNIT |